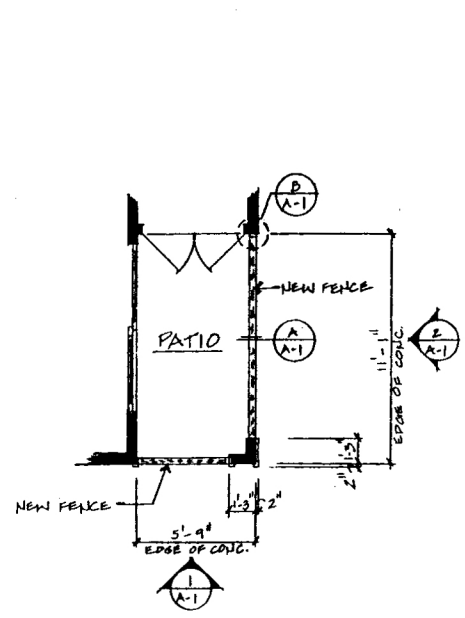


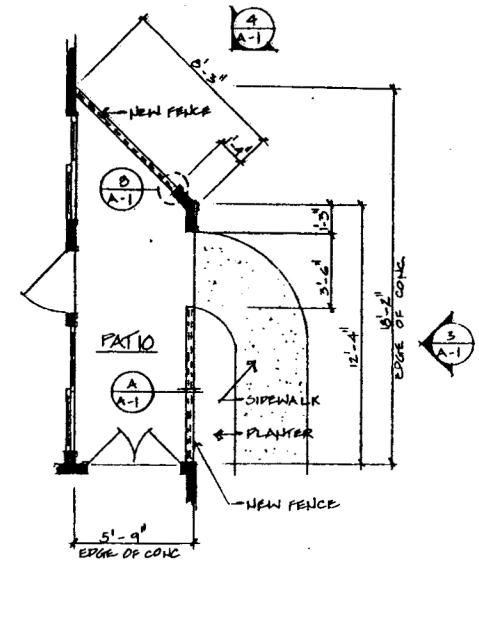
REVISIONS	BY

GENERAL NOTES

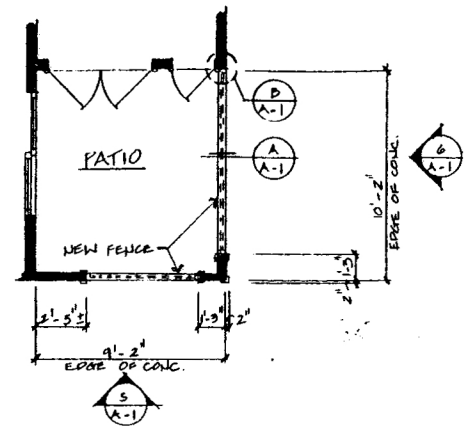
1. ALL LUMBER, TRIM, & LATTICE IS TO BE D-GRADE REDWOOD. NO KNOT HOLES OR ROUGH EDGES TO BE USED.
2. ALL LATTICE IS TO BE D-GRADE REDWOOD, HEAVY DUTY 3/4" THK. NO KNOT HOLES OR ROUGH EDGES TO BE USED.
3. NO LATTICE SPLICES TO BE VISIBLE. TO BE COVERED W/ 1X3 TRIM, BRUALLY SPACED.
4. ALL NAILS & SCREWS USED, TO BE NON-RUSTING - GALVANIZED.
5. ALL GATE HARDWARE USED, TO BE BLACK ANODIZED ALUMINUM. HINGES TO BE HEAVY DUTY. SUPPORTS ON ENDS OF FENCES SHOULD BE UPGRADED TO 4X4'S, NOT 2X4'S.
6. FENCES & GATES TO HAVE (1) COAT WHITE PRIMER, & (1) COAT WHITE OIL BASED PAINT, MINIMUM. PAINT TO BE PRAIZE #872 (WHITE), ONLY.



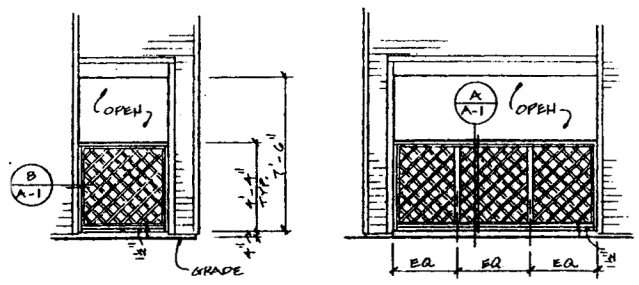
(A) PLAN-A
SCALE: 1/4" = 1'-0"



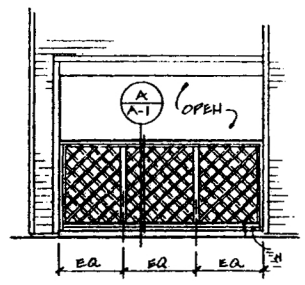
(B) PLAN-B
SCALE: 1/4" = 1'-0"



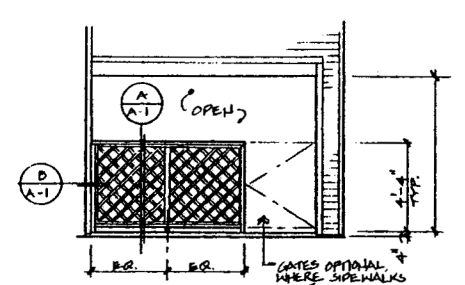
(C) PLAN-C
SCALE: 1/4" = 1'-0"



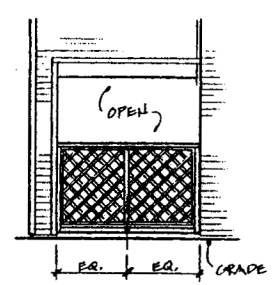
(1) ELEVATION
SCALE: 1/4" = 1'-0"



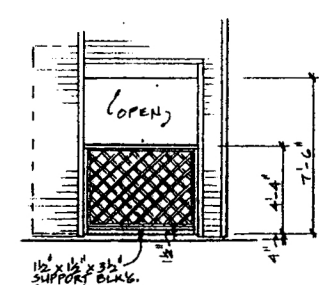
(2) ELEVATION
SCALE: 1/4" = 1'-0"



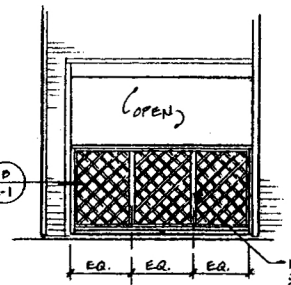
(3) ELEVATION
SCALE: 1/4" = 1'-0"



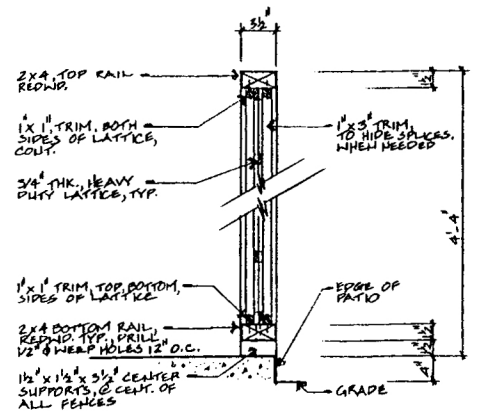
(4) ELEVATION
SCALE: 1/4" = 1'-0"



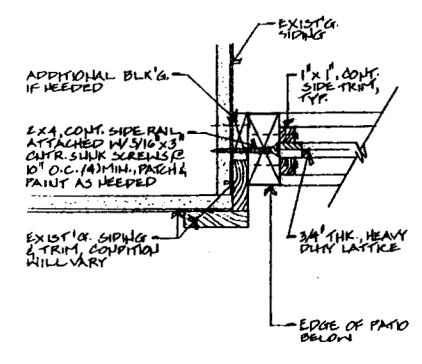
(5) ELEVATION
SCALE: 1/4" = 1'-0"



(6) ELEVATION
SCALE: 1/4" = 1'-0"



(A) LATTICE-FENCE DETAIL
SCALE: 1/2" = 1'-0"



(B) LATTICE-FENCE DETAIL
SCALE: 3/8" = 1'-0"

VERIFY ALL CONDITIONS & DIMENSIONS IN FIELD PRIOR TO CONSTRUCTION.

SR DESIGNS
482 MONARCH LANE
MONTECITO, CA. 95108
(805) 969-9203 : SCOTT RUTLEDGE

LATTICE-FENCE PLANS
"THE GROVE", HOMEOWNER'S ASSOC.
7600 HOLLISTER AVENUE
GOLETA, CA. 95108

DRAWN	SCOTT RUTLEDGE
CHECKED	SR
DATE	12-12-94
SCALE	AS SHOWN
JOB NO.	011
SHEET	A-1
OF	1 SHEETS